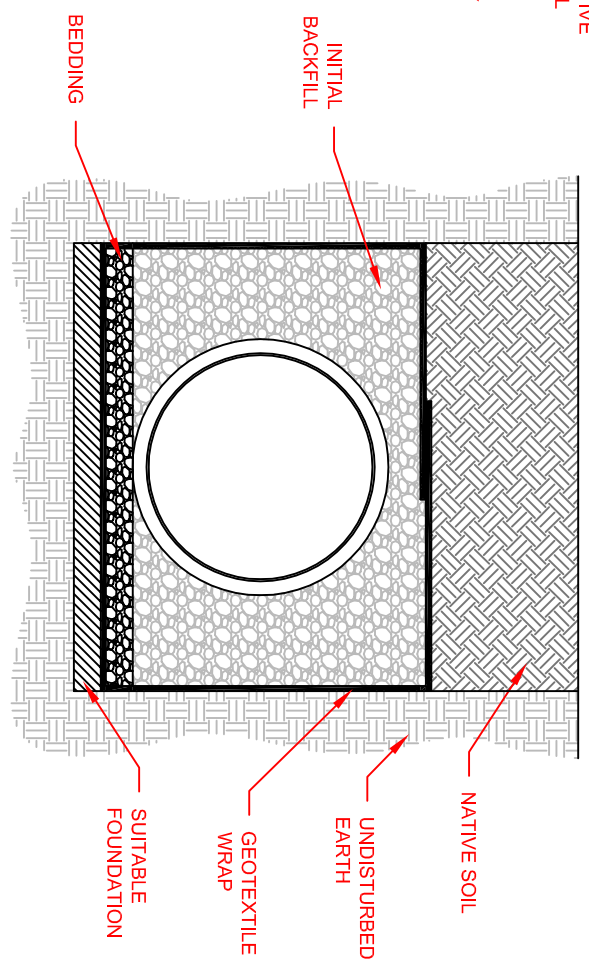
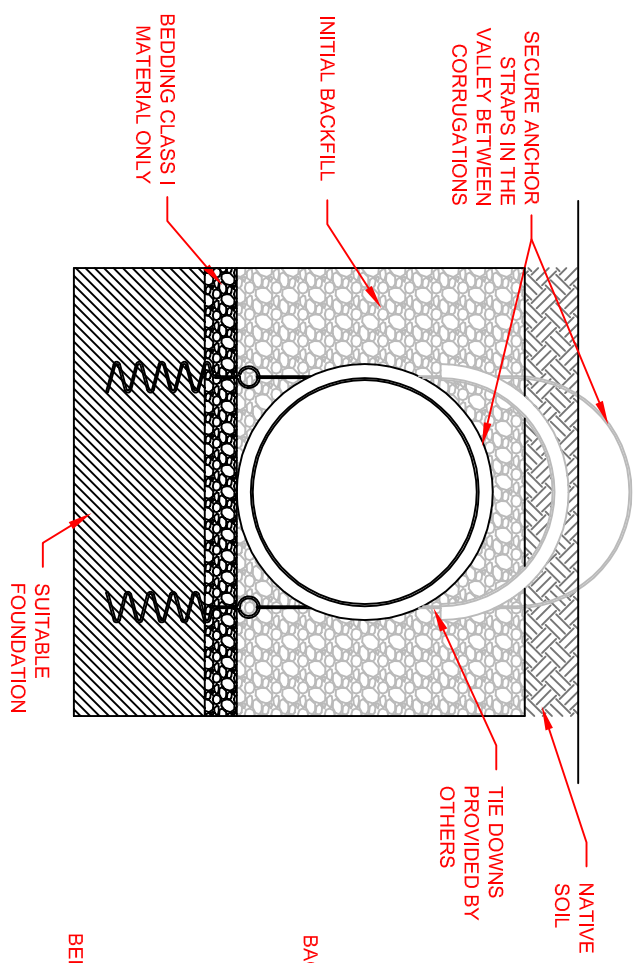



- NOTES:
1. ANCHORING METHOD, DESIGN AND PLACEMENT TO BE DETERMINED BY THE PROJECT DESIGN ENGINEER
 2. SEE STANDARD DETAIL 101 FOR PIPE INSTALLATION RECOMMENDATIONS



© 2007 HANCOR, INC.

HANCOR, INC. HAS PREPARED THIS DETAIL BASED ON INFORMATION PROVIDED TO HANCOR. THIS DRAWING IS INTENDED TO DEPICT THE COMPONENTS AS REQUESTED. HANCOR HAS NOT PERFORMED ANY ENGINEERING OR DESIGN SERVICES FOR THIS PROJECT. NOR HAS HANCOR INDEPENDENTLY VERIFIED THE INFORMATION SUPPLIED. THE INSTALLATION DETAILS PROVIDED HEREIN ARE GENERAL RECOMMENDATIONS AND ARE NOT SPECIFIC FOR THIS PROJECT. THE DESIGN ENGINEER SHALL REVIEW THESE DETAILS PRIOR TO CONSTRUCTION. IT IS THE DESIGN ENGINEERS RESPONSIBILITY TO ENSURE THE DETAILS PROVIDED HEREIN MEETS OR EXCEEDS THE APPLICABLE NATIONAL, STATE, OR LOCAL REQUIREMENTS AND TO ENSURE THAT THE DETAILS PROVIDED HEREIN ARE ACCEPTABLE FOR THIS PROJECT.

REV.	DESCRIPTION	BY	MM/DD/YY	CHK'D
	PIPE ANCHORING SYSTEMS DETAIL.			
DRAWING NUMBER: STD-104				
 Hancor 401 OLIVE ST. FINDLAY, OHIO 45839				
DATE	10/18/06	SCALE	NTS	
SHEET	1 OF 1			