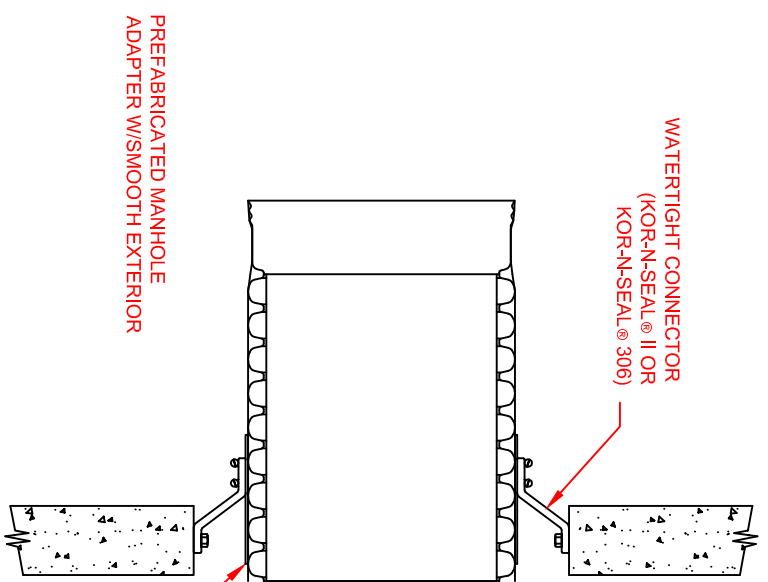
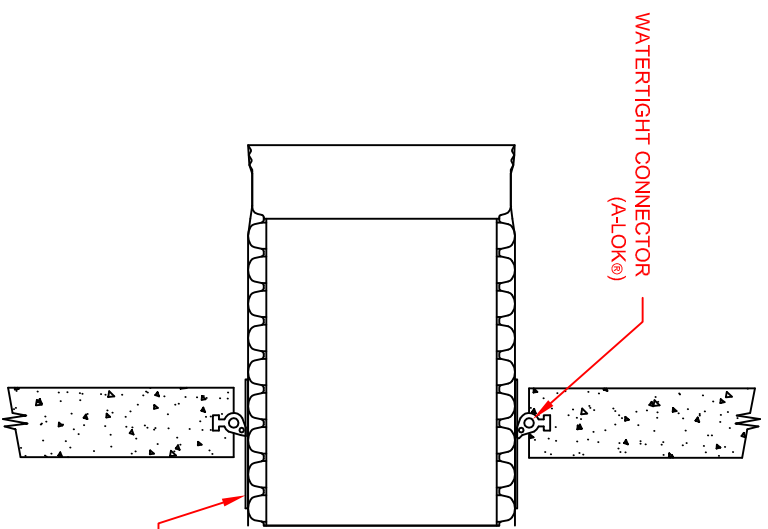


# 30"-60" N-12 HP WATER TIGHT MANHOLE CONNECTIONS WITH SMOOTH WALL ADAPTER (TRIPLE WALL)



SEE STANDARD DETAIL STD-201 AND TECHNICAL NOTE: 5.04 HDPE CONNECTIONS TO MANHOLES AND STRUCTURES FOR INSTALLATION RECOMMENDATIONS.

PIPE SIZE (IN)	ADAPTER OD (IN)	KOR-N-SEAL® **		A-LOK RING® **	A-LOK PRODUCTS, INC.
		SERIES I OR II	SERIES 306		
30	36.30	S206-40	S306-40	1180	
36	42.10	S206-46	S306-46	1350	
48	54.68	S206-58L	S306-58L	1745	
60	67.65	S206-72	N/A	2160	

© 2009 HANCOR, INC.

HANCOR, INC. HAS PREPARED THIS DETAIL BASED ON INFORMATION PROVIDED TO HANCOR. THIS DRAWING IS INTENDED TO DEPICT THE COMPONENTS AS REQUESTED. HANCOR HAS NOT PERFORMED ANY ENGINEERING OR DESIGN SERVICES FOR THIS PROJECT NOR HAS HANCOR INDEPENDENTLY VERIFIED THE INFORMATION SUPPLIED. THE INSTALLATION DETAILS PROVIDED HEREIN ARE GENERAL RECOMMENDATIONS AND ARE NOT SPECIFIC FOR THIS PROJECT. THE DESIGN ENGINEER SHALL REVIEW THESE DETAILS PRIOR TO CONSTRUCTION. IT IS THE DESIGN ENGINEERS RESPONSIBILITY TO ENSURE THE DETAILS PROVIDED HEREIN MEETS OR EXCEEDS THE APPLICABLE NATIONAL, STATE, OR LOCAL REQUIREMENTS AND TO ENSURE THAT THE DETAILS PROVIDED HEREIN ARE ACCEPTABLE FOR THIS PROJECT.

TYPE 1A: A-LOK GASKET (PRE-CAST) W/HDPE PREFABRICATED MANHOLE ADAPTER W/ SMOOTH EXTERIOR

TYPE 1B: CORED HOLE OR PRE-CAST W/ FIELD INSTALLED MANHOLE BOOT W/ HDPE PREFABRICATED MANHOLE ADAPTER W/ SMOOTH EXTERIOR

**NOTES:**

PERFORMANCE HIGHLY DEPENDENT ON INSTALLATION. CONTRACTOR MUST INSURE MANHOLE GASKET IS UNIFORMLY SEATED AROUND STRUCTURE ADAPTER. EXTRA PRECAUTIONS MUST BE TAKEN TO PREVENT DIFFERENTIAL SETTLEMENT BETWEEN THE PIPE AND MANHOLE.

\*\* THIRD PARTY - CODES AS SUPPLIED BY MANUFACTURER

KOR-N-SEAL is a registered trademark of NPC, Inc. (www.npc.com)  
A-LOK is a registered trademark of A-LOK Products, Inc. (www.a-lok.com)

REV.	DESCRIPTION	BY	MM/DD/YY	CHK'D	DATE
	<b>WATERTIGHT STRUCTURE N-12 HP 30"-60" STORM DETAIL.</b>				4/3/09
DRAWING NUMBER: STD-207B					SCALE: NTS
<p>401 OLIVE ST. FINDLAY, OHIO 45839</p>					1 OF 1