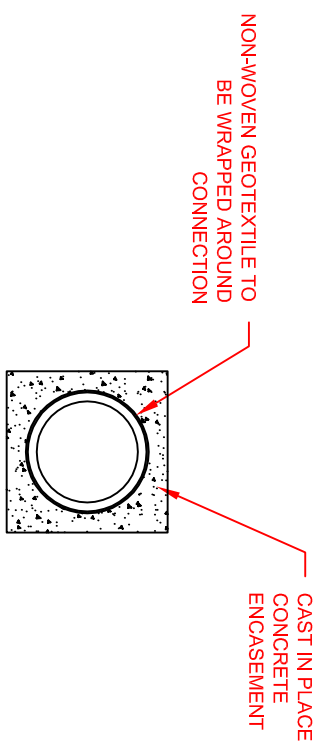
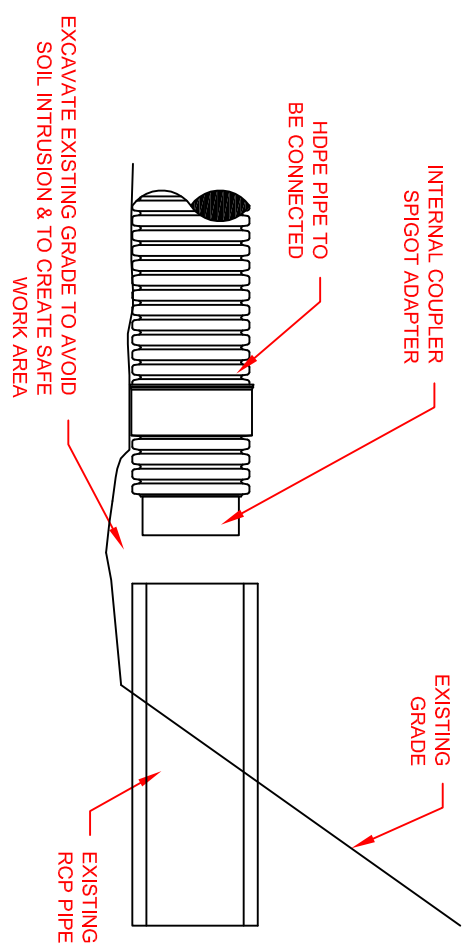
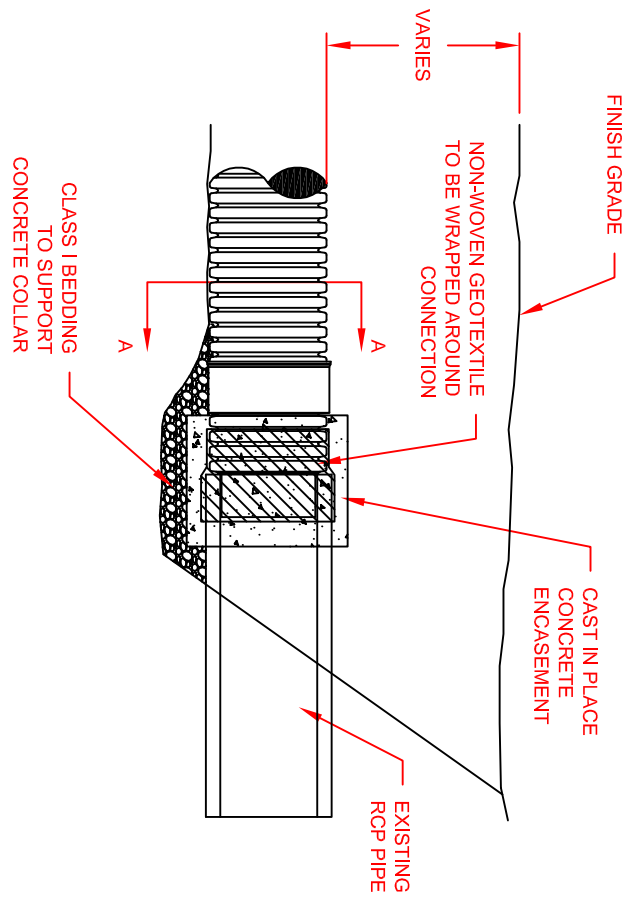


NOTES:

1. - Connection and pipe to be backfilled per ASTM D2321.
2. - In lieu of an internal cylinder, an HDPE watertight repair coupler can be used to connect HDPE pipe to CMP.
3. - Internal cylinder adapter is not recommended for downstream connections.



© 2007 HANCOR, INC.

HANCOR, INC. HAS PREPARED THIS DETAIL BASED ON INFORMATION PROVIDED TO HANCOR. THIS DRAWING IS INTENDED TO DEPICT THE COMPONENTS AS REQUESTED. HANCOR HAS NOT PERFORMED ANY ENGINEERING OR DESIGN SERVICES FOR THIS PROJECT. NOR HAS HANCOR INDEPENDENTLY VERIFIED THE INFORMATION SUPPLIED. THE INSTALLATION DETAILS PROVIDED HEREIN ARE GENERAL RECOMMENDATIONS AND ARE NOT SPECIFIC FOR THIS PROJECT. THE DESIGN ENGINEER SHALL REVIEW THESE DETAILS PRIOR TO CONSTRUCTION. IT IS THE DESIGN ENGINEER'S RESPONSIBILITY TO ENSURE THE DETAILS PROVIDED HEREIN MEETS OR EXCEEDS THE APPLICABLE NATIONAL, STATE, OR LOCAL REQUIREMENTS AND TO ENSURE THAT THE DETAILS PROVIDED HEREIN ARE ACCEPTABLE FOR THIS PROJECT.

REV.	DESCRIPTION	TJR	01/24/07	CKS
1	UPDATED DRAWING			

DISSIMILAR PIPE CONNECTIONS FOR RCP DETAIL

DRAWING NUMBER: STD-603

401 OLIVE ST.
FINDLAY, OHIO 45839

DESIGNED BY: K.J.M.
CHECKED BY: NTS
SCALE: 1 OF 1