

NYLOPLAST RISER EXTENSION

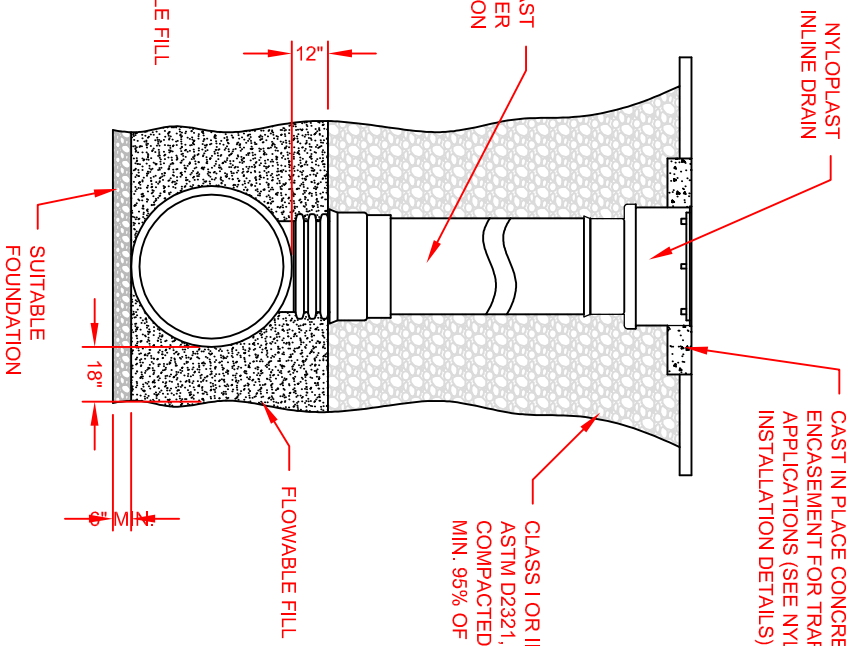
12"

18"

18"

SUITABLE FOUNDATION

FLOWABLE FILL



NYLOPLAST INLINE DRAIN

CAST IN PLACE CONCRETE ENCASEMENT FOR TRAFFIC APPLICATIONS (SEE NYLOPLAST INSTALLATION DETAILS)

12"

18"

18"

SUITABLE FOUNDATION

FLOWABLE FILL

CLASS I OR II MATERIAL PER ASTM D2321, LATEST EDITION, COMPACTED IN 8" LIFTS TO A MIN. 95% OF MAX. SPD.

© 2007 HANCOR, INC.

HANCOR, INC. HAS PREPARED THIS DETAIL BASED ON INFORMATION PROVIDED TO HANCOR. THIS DRAWING IS INTENDED TO DEPICT THE COMPONENTS AS REQUESTED. HANCOR HAS NOT PERFORMED ANY ENGINEERING OR DESIGN SERVICES FOR THIS PROJECT. NOR HAS HANCOR INDEPENDENTLY VERIFIED THE INFORMATION SUPPLIED. THE INSTALLATION DETAILS PROVIDED HEREIN ARE GENERAL RECOMMENDATIONS AND ARE NOT SPECIFIC FOR THIS PROJECT. THE DESIGN ENGINEER SHALL REVIEW THESE DETAILS PRIOR TO CONSTRUCTION. IT IS THE DESIGN ENGINEERS RESPONSIBILITY TO ENSURE THE DETAILS PROVIDED HEREIN MEETS OR EXCEEDS THE APPLICABLE NATIONAL, STATE, OR LOCAL REQUIREMENTS AND TO ENSURE THAT THE DETAILS PROVIDED HEREIN ARE ACCEPTABLE FOR THIS PROJECT.

REV.	DESCRIPTION	TJR	MM/DD/YY	CHK'D
1	UPDATED DRAWING		02/19/07	

TYPICAL FLOWABLE FILL FOR RISERS DETAIL

DRAWING NUMBER: STD-704

401 OLIVE ST.
FINDLAY, OHIO 45839

DATE: 10/18/06
SCALE: NTS
SHEET: 1 OF 1